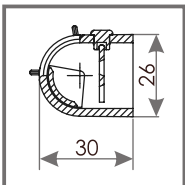
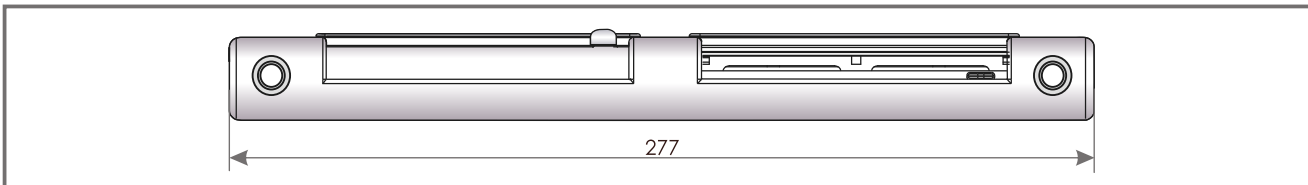


AIRFLOW CONTROLLED INLET VENTEC VT 201

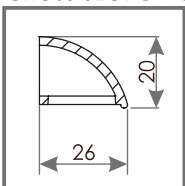
CROSS-SECTION VT 200



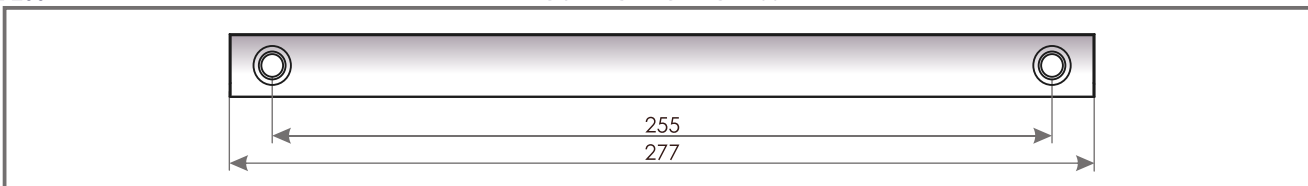
AIRFLOW CONTROLLED INLET VT 200



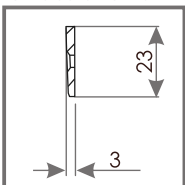
CROSS-SECTION OZ 200



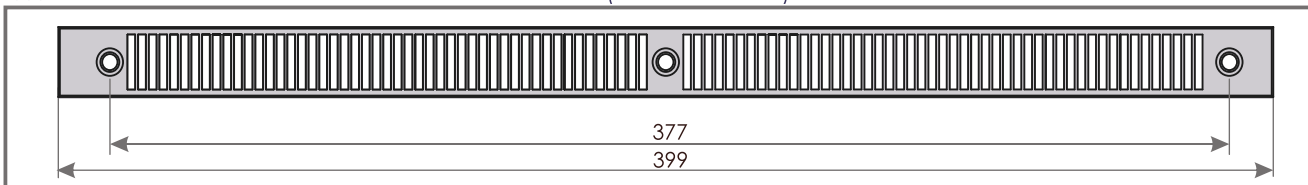
OUTER CANOPY OZ 200



CROSS-SECTION OZ 300



FLAT CANOPY (UNDER SHUTTERS) OZ 300



TECHNICAL CHARACTERISTICS

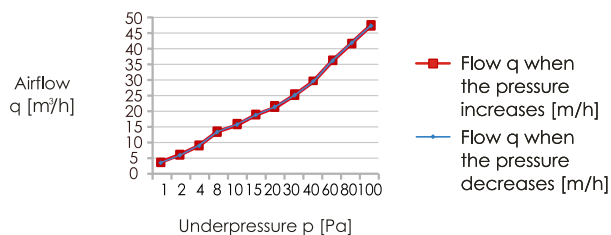
Airflow

16 m³/h ($\Delta p = 10$ Pa)

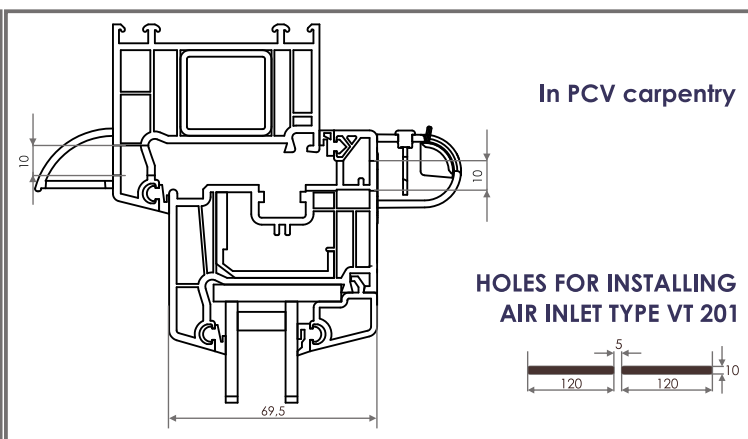
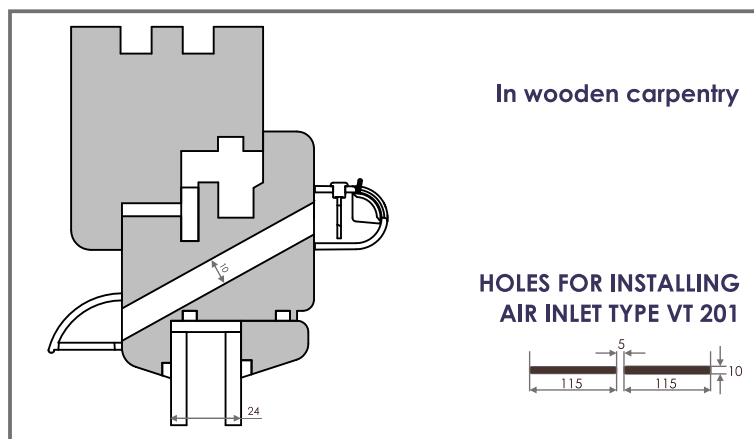
Acoustic

$D_{n,e,w}(C;C_{tr}) = 33$ (0; 1) dB

Scheme 2. The dependance of air flow q [m³/h] going through air inlet VT 201 of the pressure p [Pa]



THE WAY OF INSTALLATION



VENTEC VT 201 - shades variety

Symbol	VT201	VT212	VT213	VT214	VT215	VT222	VT223	VT224	VT225
Inner colour	RAL 9003	RAL 9003	RAL 9003	RAL 9003	RAL 9003	RAL 8001	RAL 8017	RAL 7012	RAL 7016
Outer colour	RAL 9003	RAL 8001	RAL 8017	RAL 7012	RAL 7016	RAL 8001	RAL 8017	RAL 7012	RAL 7016