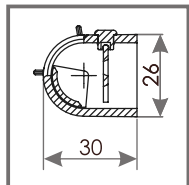
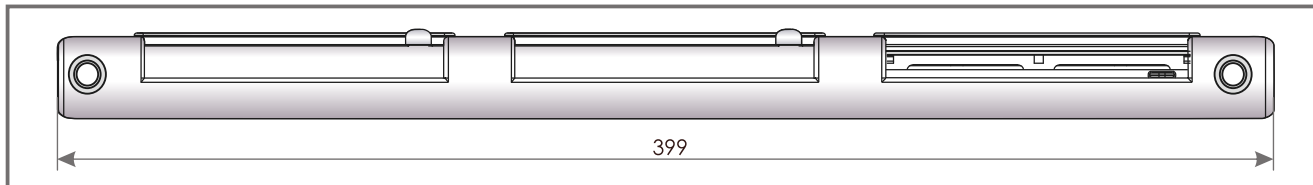


AIRFLOW CONTROLLED INLET VENTEC VT 101

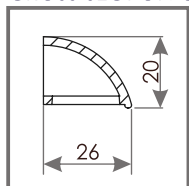
CROSS-SECTION VT 100



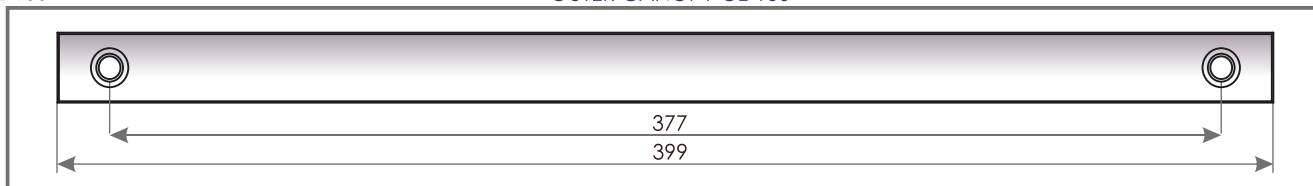
AIRFLOW CONTROLLED INLET VT 100



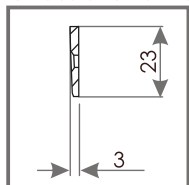
CROSS-SECTION OZ 100



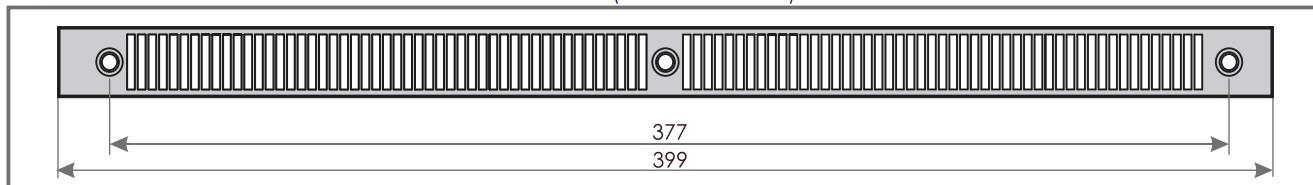
OUTER CANOPY OZ 100



CROSS-SECTION OZ 300



FLAT CANOPY (UNDER SHUTTERS) OZ 300



TECHNICAL CHARACTERISTICS

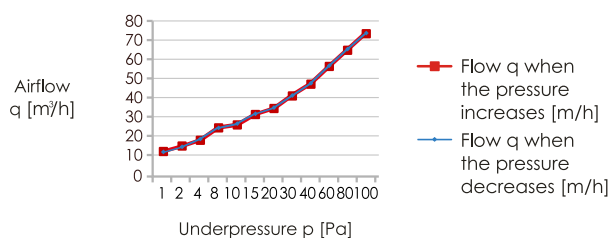
Airflow

27 m³/h ($\Delta p = 10$ Pa)

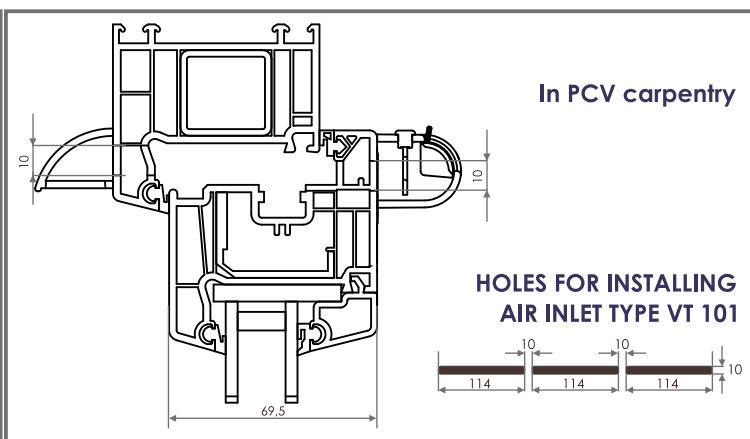
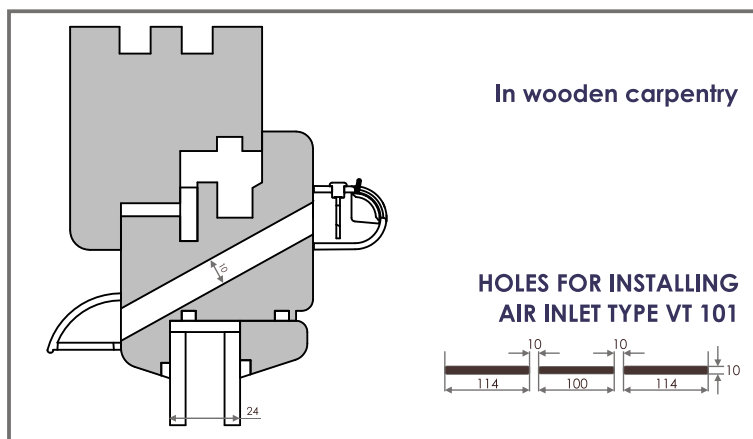
Acoustic

$D_{n,e,w} (C;C_{tr}) = 32 (-1; 0)$ dB

Scheme 1. The dependance of air flow q [m³/h] going through air inlet VT 101 of the pressure p [Pa]



THE WAY OF INSTALLATION



VENTEC VT 101 - shades variety

Symbol	VT101	VT112	VT113	VT114	VT115	VT122	VT123	VT124	VT125
Inner colour	RAL 9003	RAL 9003	RAL 9003	RAL 9003	RAL 9003	RAL 8001	RAL 8017	RAL 7012	RAL 7016
Outer colour	RAL 9003	RAL 8001	RAL 8017	RAL 7012	RAL 7016	RAL 8001	RAL 8017	RAL 7012	RAL 7016