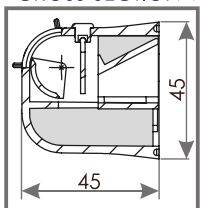
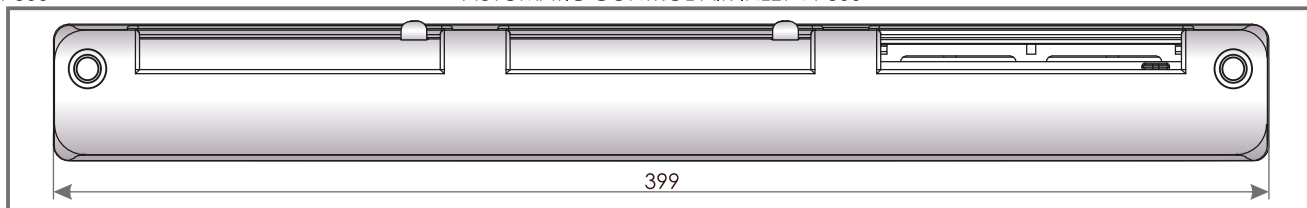


ACOUSTIC AIR INLET VENTEC VT 901

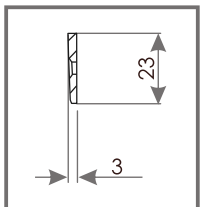
CROSS-SECTION VT 300



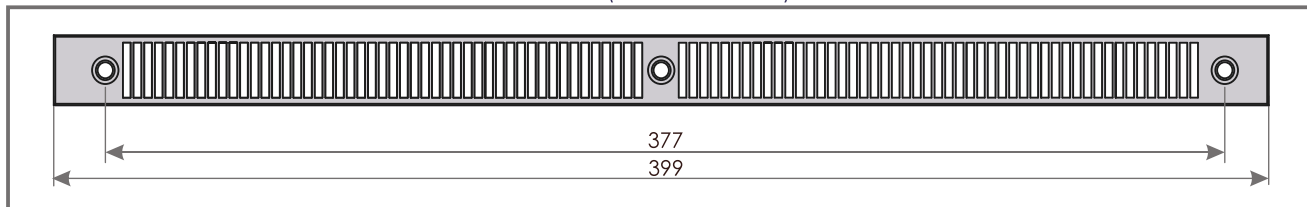
AUTOMATIC CONTROL AIR INLET VT 300



CROSS-SECTION OZ 300



FLAT CANOPY (UNDER SHUTTERS) OZ 300



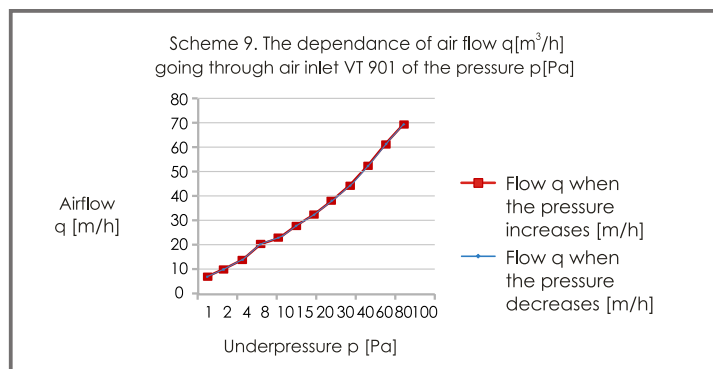
TECHNICAL CHARACTERISTICS

Airflow

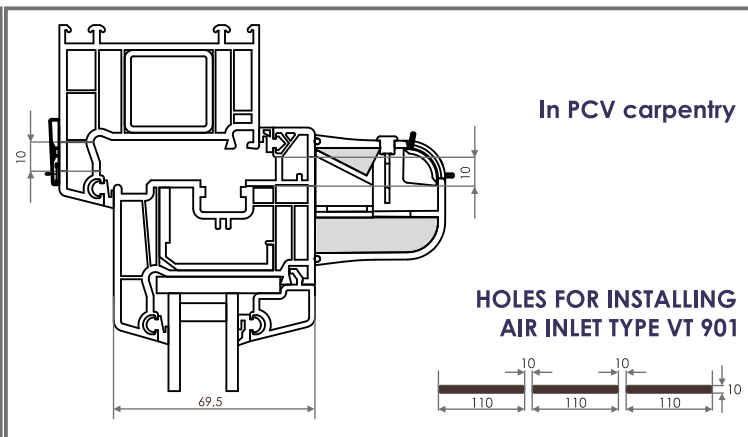
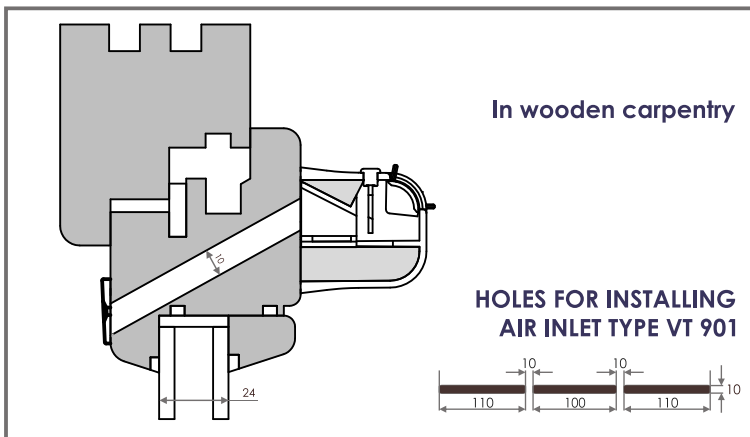
23 m³/h ($\Delta p = 10$ Pa)

Acoustic

$D_{n,e,w} (C;C_{tr}) = 38 (-1;-1)$ dB



THE WAY OF INSTALLATION



VENTEC VT 901 - shades variety

Symbol	VT901	VT912	VT913	VT914	VT915	VT922	VT923	VT924	VT925
Inner colour	RAL 9003	RAL 9003	RAL 9003	RAL 9003	RAL 9003	RAL 8001	RAL 8017	RAL 7047	RAL 7016
Outer colour	RAL 9003	RAL 8001	RAL 8017	RAL 7047	RAL 7016	RAL 8001	RAL 8017	RAL 7047	RAL 7016