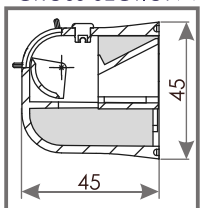
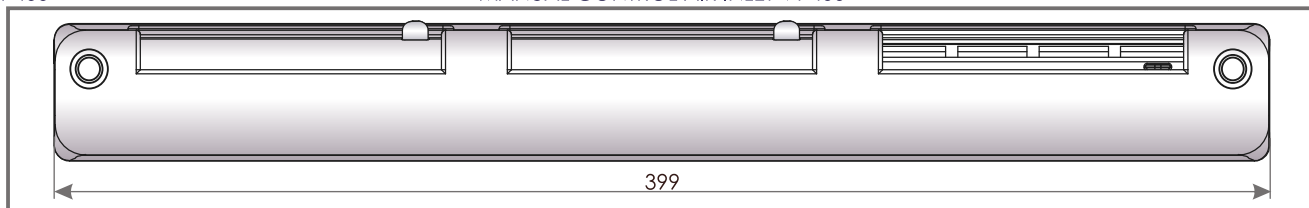


ACOUSTIC AIR INLET VENTEC VT 801

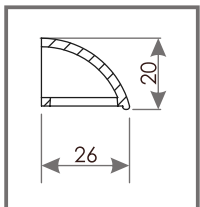
CROSS-SECTION VT 400



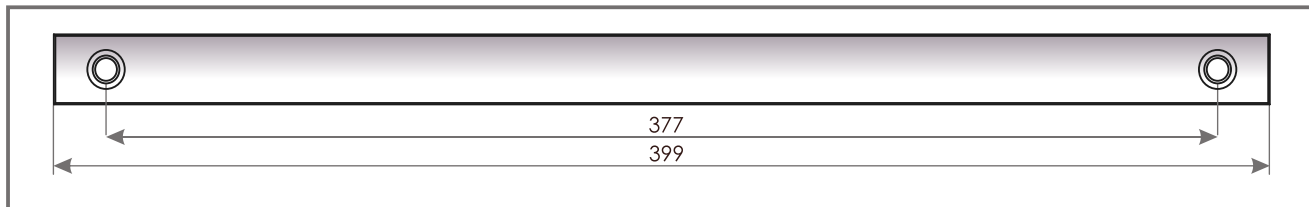
MANUAL CONTROL AIR INLET VT 400



CROSS-SECTION OZ 100

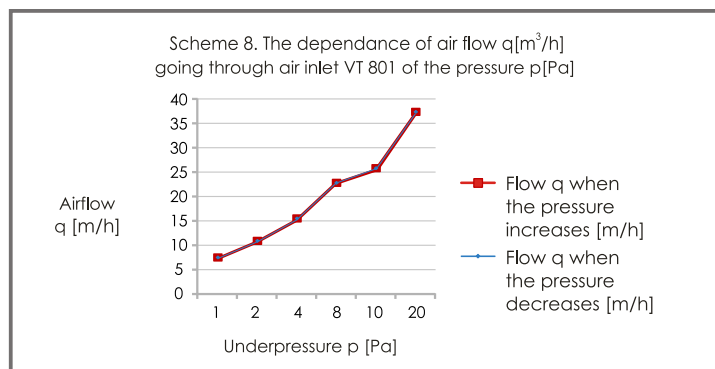


OUTER CANOPY OZ 100

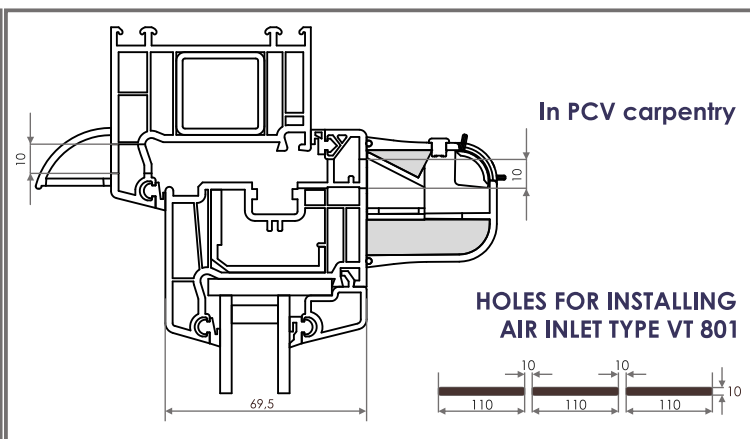
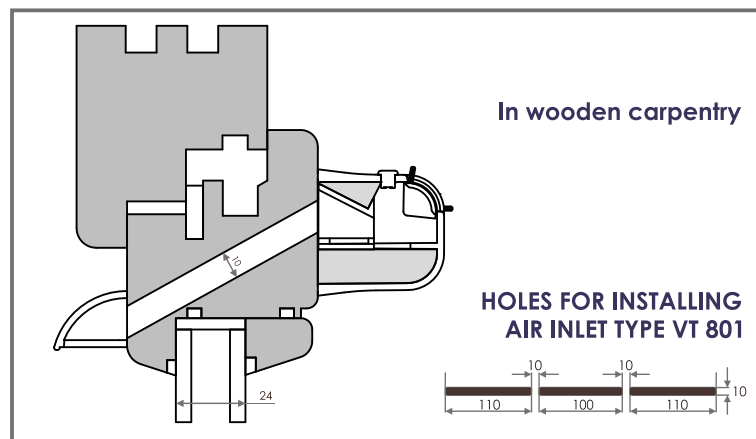


TECHNICAL CHARACTERISTICS

Airflow	26 m ³ /h ($\Delta p = 10$ Pa)
Acoustic	$D_{n,e,w}(C;C_{tr}) = 36(0;0)$ dB



THE WAY OF INSTALLATION



VENTEC VT 801 - shades variety

Symbol	VT801	VT812	VT813	VT814	VT815	VT822	VT823	VT824	VT825
Inner colour	RAL 9003	RAL 9003	RAL 9003	RAL 9003	RAL 9003	RAL 8001	RAL 8017	RAL 7047	RAL 7016
Outer colour	RAL 9003	RAL 8001	RAL 8017	RAL 7047	RAL 7016	RAL 8001	RAL 8017	RAL 7047	RAL 7016