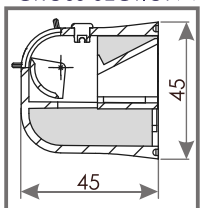
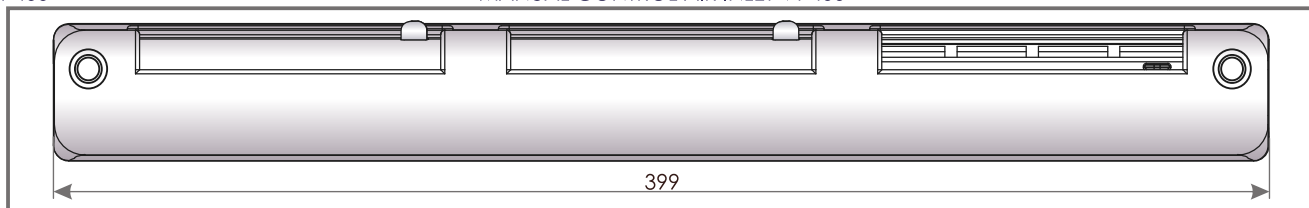


ACOUSTIC AIR INLET VENTEC VT 401

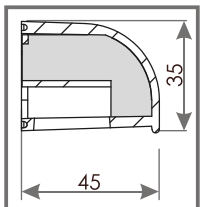
CROSS-SECTION VT 400



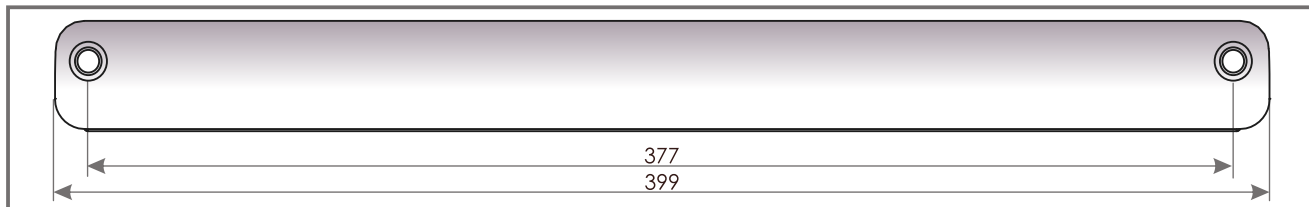
MANUAL CONTROL AIR INLET VT 400



CROSS-SECTION OZ 400



ACOUSTIC CANOPY OZ 400



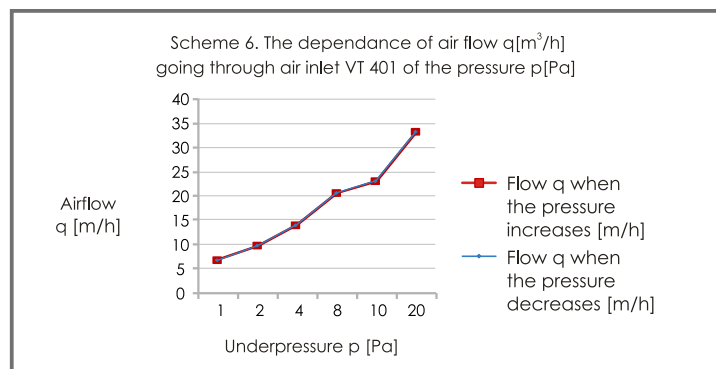
TECHNICAL CHARACTERISTICS

Airflow

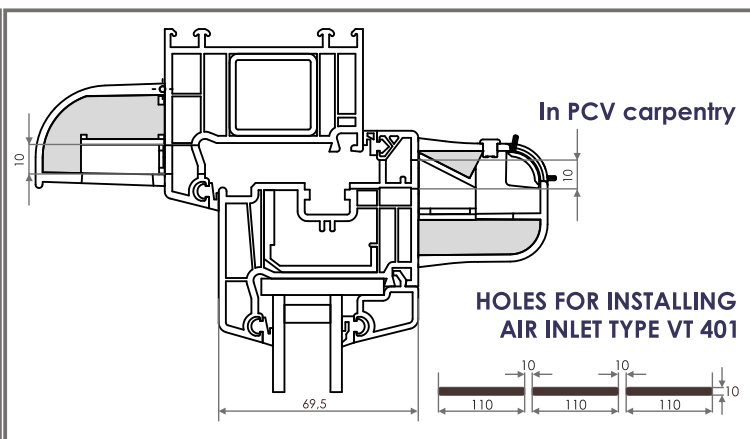
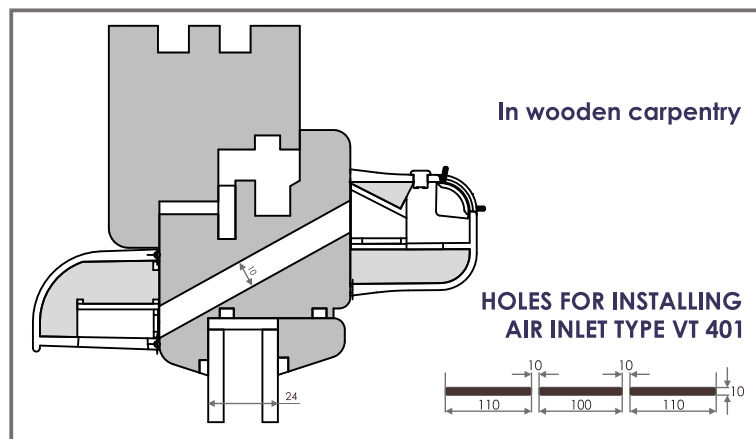
23 m³/h ($\Delta p = 10$ Pa)

Acoustic

$D_{n,e,w} (C; C_{tr}) = 40 (0;-1)$ dB



THE WAY OF INSTALLATION



VENTEC VT 401 - shades variety

| Symbol | VT401 | VT412 | VT413 | VT414 | VT415 | VT422 | VT423 | VT424 | VT425 |
|--------------|----------|----------|----------|----------|----------|----------|----------|----------|----------|
| Inner colour | RAL 9003 | RAL 9003 | RAL 9003 | RAL 9003 | RAL 9003 | RAL 8001 | RAL 8017 | RAL 7047 | RAL 7016 |
| Outer colour | RAL 9003 | RAL 8001 | RAL 8017 | RAL 7047 | RAL 7016 | RAL 8001 | RAL 8017 | RAL 7047 | RAL 7016 |