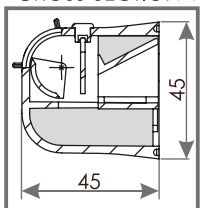
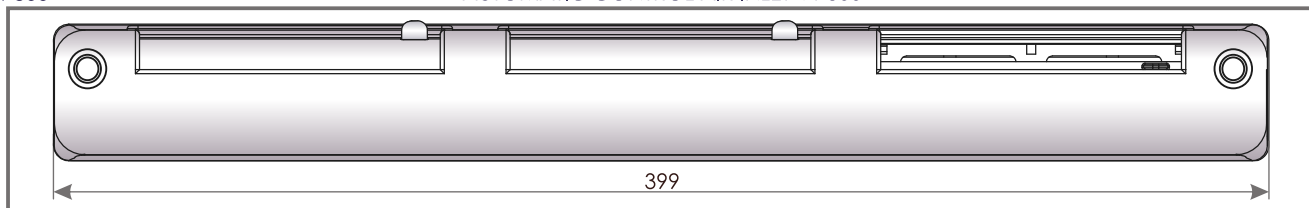


ACOUSTIC AIR INLET VENTEC VT 301

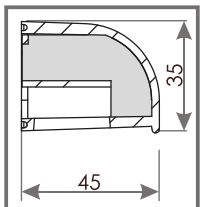
CROSS-SECTION VT 300



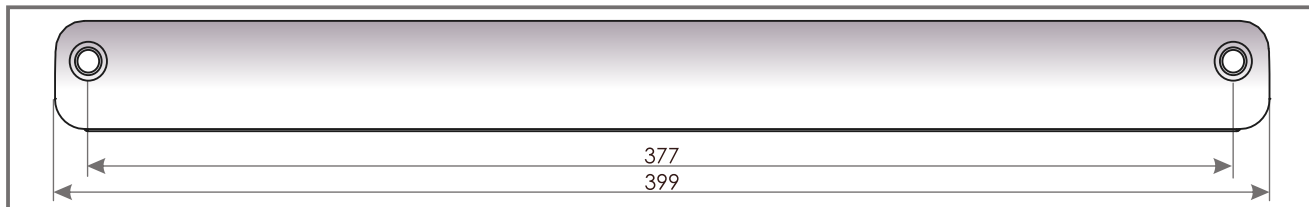
AUTOMATIC CONTROL AIR INLET VT 300



CROSS-SECTION 400

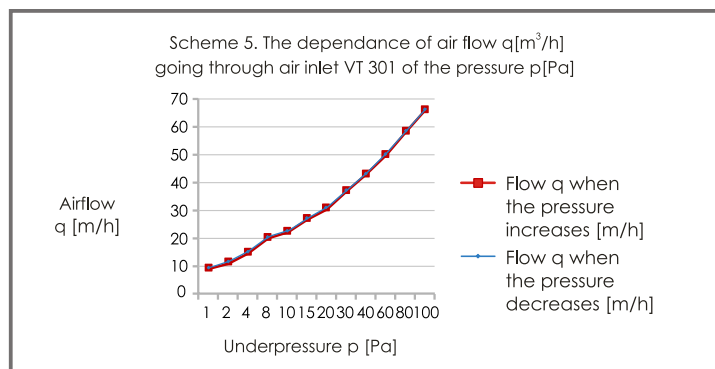


ACOUSTIC CANOPY OZ 400

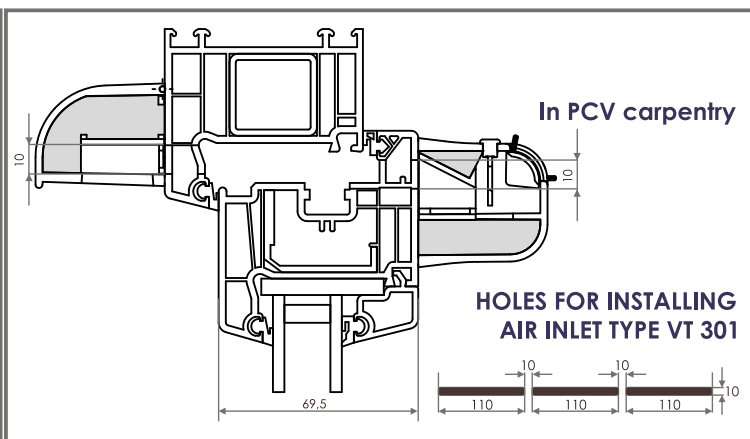
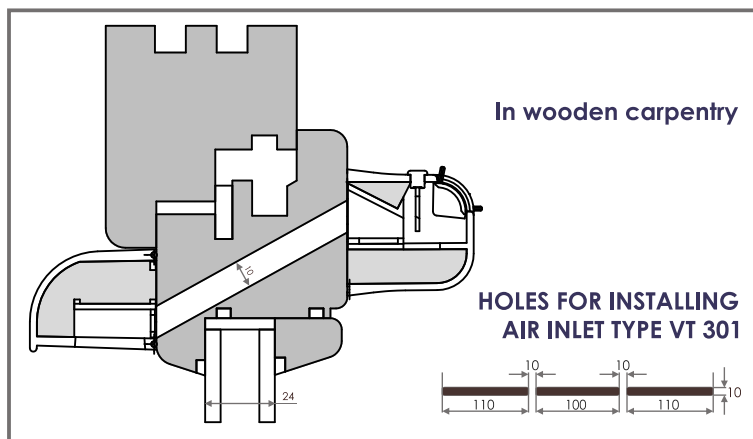


TECHNICAL CHARACTERISTICS

Airflow	23 m ³ /h ($\Delta p = 10$ Pa)
Acoustic	$D_{n,e,w}(C;C_{tr}) = 40$ (0;-1) dB



THE WAY OF INSTALLATION



VENTEC VT 301 - shades variety

Symbol	VT301	VT312	VT313	VT314	VT315	VT322	VT323	VT324	VT325
Inner colour	RAL 9003	RAL 9003	RAL 9003	RAL 9003	RAL 9003	RAL 8001	RAL 8017	RAL 7047	RAL 7016
Outer colour	RAL 9003	RAL 8001	RAL 8017	RAL 7047	RAL 7016	RAL 8001	RAL 8017	RAL 7047	RAL 7016