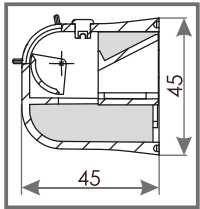
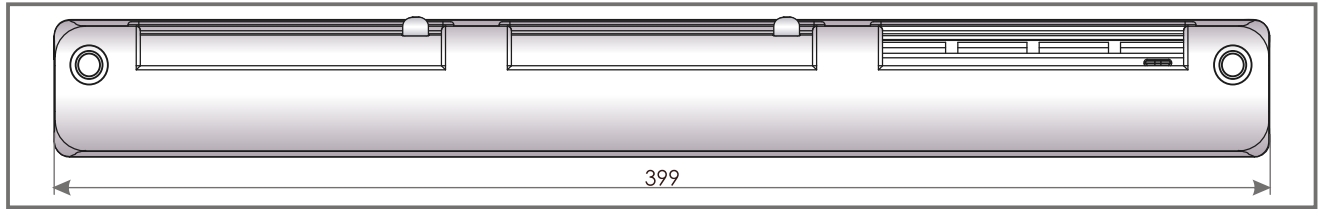


ACOUSTIC AIR INLET VENTEC VT 1001

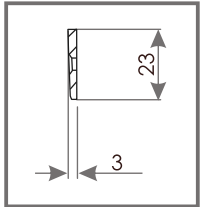
CROSS-SECTION VT 400



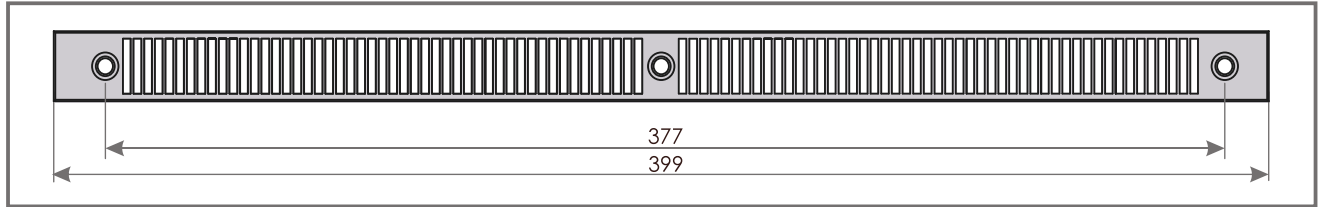
MANUAL CONTROL AIR INLET VT 400



CROSS-SECTION OZ 300

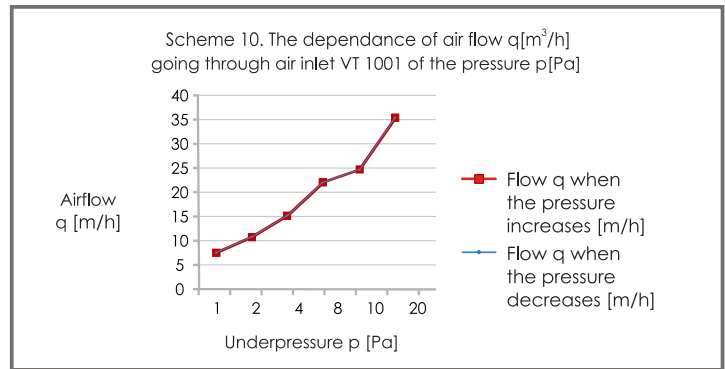


FLAT CANOPY (UNDER SHUTTERS) OZ 300

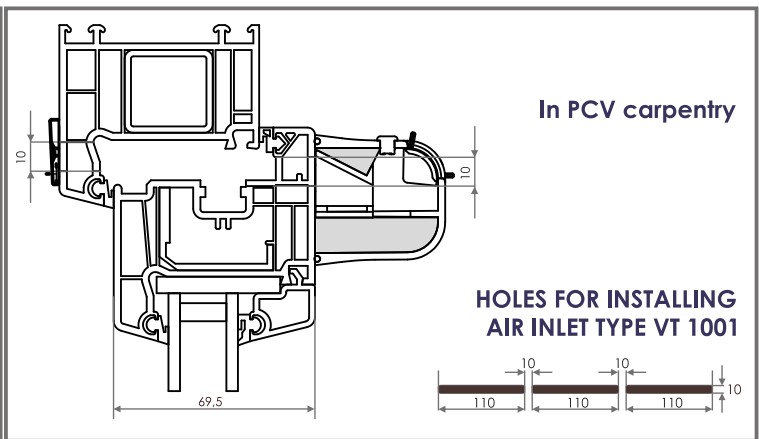
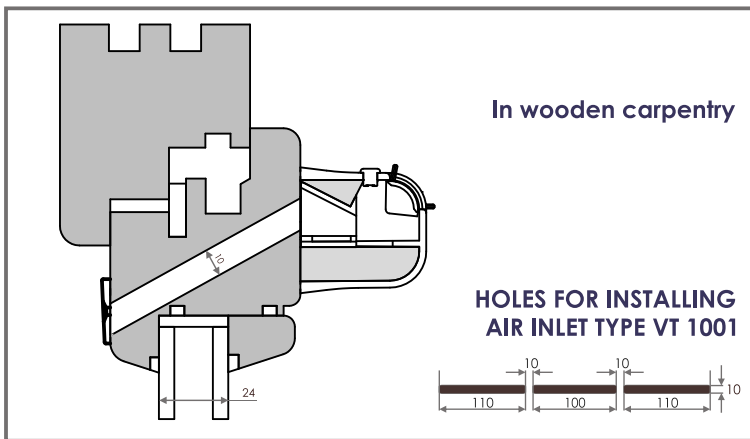


TECHNICAL CHARACTERISTICS

Airflow	25 m ³ /h ($\Delta p = 10$ Pa)
Acoustic	$D_{n,e,w}(C;C_{tr}) = 38 (-1;-1)$ dB



THE WAY OF INSTALLATION



VENTEC VT 1001 - shades variety

Symbol	VT1001	VT1012	VT1013	VT1014	VT1015	VT1022	VT1023	VT1024	VT1025
Inner colour	RAL 9003	RAL 9003	RAL 9003	RAL 9003	RAL 9003	RAL 8001	RAL 8017	RAL 7047	RAL 7016
Outer colour	RAL 9003	RAL 8001	RAL 8017	RAL 7047	RAL 7016	RAL 8001	RAL 8017	RAL 7047	RAL 7016